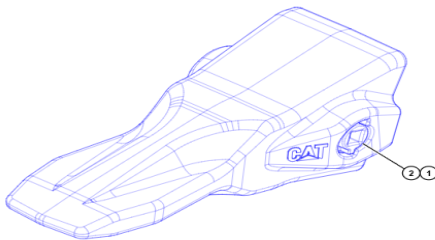
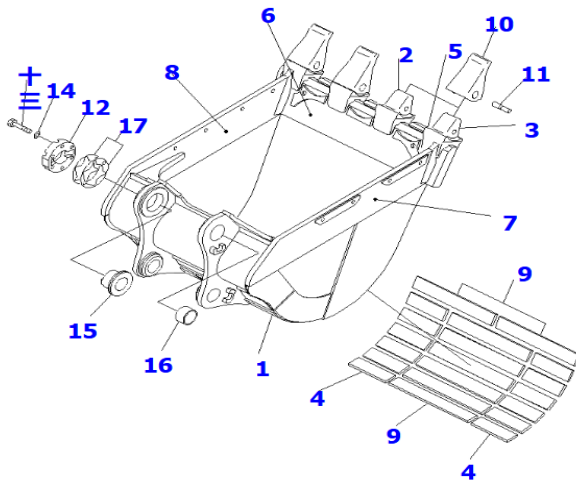


## Komatsu Mine Bucket for Komatsu Excavator PC2000

Brand	Bucket digging force	Model	Capacity	Product Name
Komatsu	721kN	PC2000	9-13.7 yd3	Bucket



### Product Details



Product Name	BUCKET
Origin	United States
Brand Name	STONE
Model	PC2000
Price	Negotiable
Packing Details	Standard Export Packing
Delivery Time	0-30 Days
Payment Term	L/C, T/T
Price Term	FOB, CIF, CFR
Supply Capacity	50,0 PCS/Month
Minimum Order Quantity	1 PC
Material	High strength wear-resistant steel
Technology	Precision Machining
Surface	Treatment Anti-Corrosion Coating
Quality	Original Factory Standard
After-Sales Service	Full Support, Online Service
Application	Excavator

# Excavator Bucket

Komatsu-PC2000

	Heavy-duty operation											
	width				capacity				weight			
	smallest		maximum		smallest		maximum		smallest		maximum	
	m m	i n	m m	i n	m <sup>3</sup>	y d <sup>3</sup>	m <sup>3</sup>	y d <sup>3</sup>	k g	l b	k g	l b
Small Excavator	450	18	1400	55	0.20	0.26	1.10	1.44	266	586	686	1512
Wheel Excavator	450	18	1300	51	0.20	0.26	1.07	1.41	266	586	737	1625
Medium Excavator	600	24	1850	72	0.44	0.57	2.40	3.14	546	1243	1909	4209
Large Excavator	750	30	2450	96	0.73	0.95	6.00	7.85	937	2065	5913	13036

## STONE: Construction machinery parts expert in China



We are committed to providing a variety of parts including bulldozers, excavators and wheel loaders for well-known brands such as Carter and Komatsu. Our product line covers a full range of OEM parts, such as Track Chain, Track Rollers, Sprocket, Excavator Buckets, Blades, Excavator Cylinders, Swing Circles, and various electrical and hydraulic components to ensure that our customers' stringent requirements for quality and performance are met.



Stone (Shanghai) Engineering Machinery Co., Ltd. is a leading supplier of engineering machinery parts, focusing on providing high-quality parts for mining companies. Since its establishment in 2004, we have been based in Shanghai, China, and have built our own brand STONE, becoming a trusted choice in the industry.